



Consider The "Deboo" Integrator For Unipolar Noninverting Designs

Elliott Simons

Maxim Integrated Products, Sunnyvale, CA

CIRCLE 520

The design of a standard inverting integrator is simple when bipolar supplies are available, but it's cumbersome with a unipolar supply. To allow adequate headroom for the output, the circuit must be biased away from ground, often at half the supply voltage. Because neither the input nor output is referenced to ground, the design becomes awkward and often impractical.

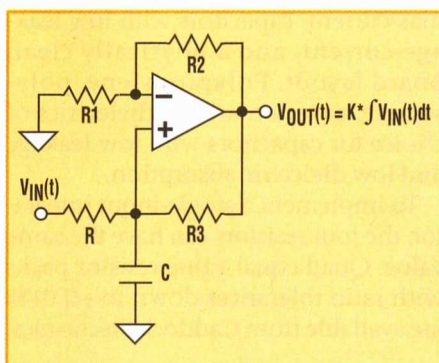
One solution is a Howland current source with a capacitive load, also known as a "Deboo" integrator (Fig. 1). Powered by bipolar or unipolar supplies, this noninverting circuit has both a ground-referenced input and output. An intuitive understanding can be gained by considering the circuit in three parts: the input resistor, R; the integrating capacitor, C; and the right side of the circuit, which is equivalent to a negative resistor connected to ground.

The right side of the circuit (Fig. 2a) is easily simplified. Its defining equations are:

$$V_{OUT} = V_C \left(\frac{R_2}{R_1} + 1 \right)$$

and

$$I_{IN} = \frac{V_C - V_{OUT}}{R_3}$$



1. The "Deboo" integrator consists of a Howland current source and a capacitive load.

resulting in

$$I_{IN} = -\frac{R_2 V_C}{R_1 R_3}$$

Note that the input current equals the input voltage divided by a negative resistor. The negative resistor merely changes the direction of the input current. The corresponding equivalent circuit is inferred by inspection (Fig. 2b).

After simplification, the circuit (Fig. 3) reveals a "T" configuration, in which V_{IN} drives the capacitor through a positive resistor, R, and ground drives the capacitor through a negative resistor, $-R_1 R_3 / R_2$. The total current into the capacitor is:

$$I_C = I_R + I_{-R} = \frac{V_{IN} - V_C}{R} + \frac{R_2 V_C}{R_1 R_3}$$

If

$$R = \frac{R_1 R_3}{R_2}$$

then

$$I_C = \frac{V_{IN}}{R}$$

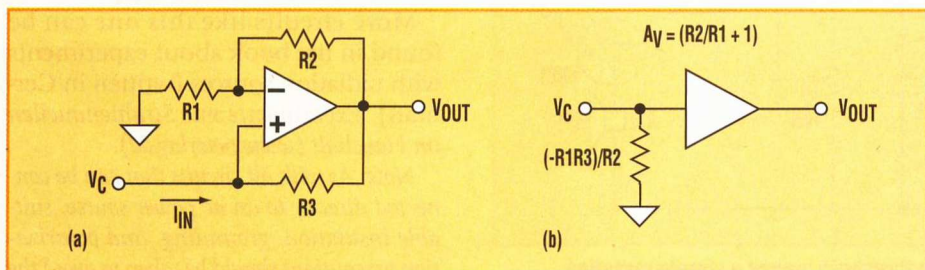
This important result shows that if $R = (R_1 R_3) / R_2$, then current into the capacitor depends only on the input voltage V_{IN} and R, not on the capacitor voltage. In other words, the capacitor is driven by a current source whose value is V_{IN} / R . If V_{IN} is a function of time, the voltage across the capacitor is:

$$V_C(t) = \frac{1}{C} \int_0^T I(t) dt = \frac{1}{C} \int_0^T \frac{V_{IN}(t)}{R} dt =$$

$$\frac{1}{RC} \int_0^T V_{IN}(t) dt$$

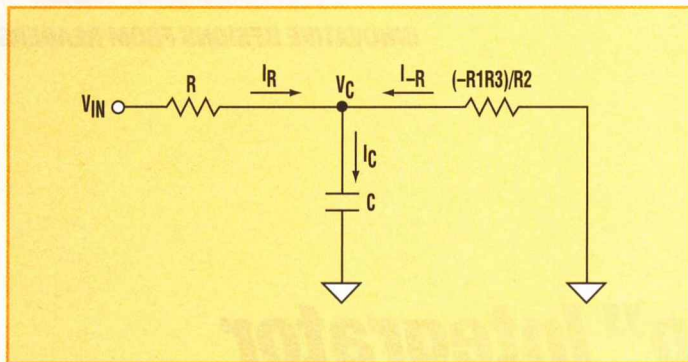
V_C is then amplified by $(1 + R_2 / R_1)$, so V_{OUT} is

$$V_{OUT}(t) = \left(1 + \frac{R_2}{R_1} \right) \frac{1}{RC} \int_0^T V_{IN}(t) dt$$



2. In the circuit in Figure 1, the right-hand side (a) can be simplified to an equivalent circuit (b).

The circuit shown in Figure 4 is a practical Deboo integrator with two inputs and a reset. The input R is simply the parallel combination of the two 20-k Ω resistors. The circuit can sum any number of inputs as long as the parallel combination of the input resistors equals the required R, which in turn equals $R_1 R_3 / R_2$.



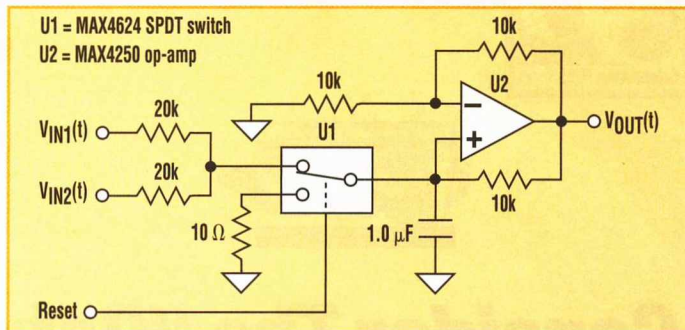
3. This circuit results from a further simplification of Figure 2b.

A single-pole/double-throw analog switch was chosen to perform the reset function. This configuration (versus a single switch across the capacitor) eliminates any offset error due to voltage division between the input R and on-resistance in the switch. To prevent the switch from going into its short-circuit-protection mode during reset (which prolongs the reset), the voltage across the MAX4624 is limited to less than 0.6 V by adding 10 Ω in series. (For capacitors of 0.1 μF or less, this voltage-limiting resistor is unnecessary).

Many parameters should be consid-

ered when designing an integrator. Fast integrators require wideband op amps with low bias-current. Very slow integrators require closely matched resistors, op amps with extremely low bias-current, capacitors with low leakage-current, and a physically clean board layout. Polypropylene, polystyrene, or teflon are the dielectrics of choice for capacitors with low leakage and low dielectric absorption.

To implement a single-input integrator, the four resistors can have the same value. Quad equal-value resistor packs with ratio tolerances down to ±0.01% are available from Caddock Electronics.



4. This practical implementation of a Deboo integrator has two analog inputs and a reset input.

Less demanding requirements can allow the use of four discrete ±1% resistors. The reset switch should be chosen carefully, since its off-leakage is integrated by the capacitor. The switch on-resistance must be low enough to allow the capacitor to be reset as quickly as necessary. Finally, the charge injected by the switch during turn-off must be sufficiently low to avoid an objectionably large offset on the capacitor.

The Deboo integrator is an easily implemented and very useful circuit, particularly for single-supply applications. ◀

Simple Geiger Detector Uses Neon Glow Lamp

Peter Lay

Am Sonnenrain 4, 71543 Wuestenrot, Germany; e-mail: info@peterlay.de

CIRCLE 521

In these times of increased terrorist threats, the possibility of some type of nuclear incident exists. By using a few simple components, it's possible to build a low-cost Geiger detector. Detecting α radiation requires a special Geiger tube. But for detecting only β and γ radiation, a neon glow lamp can be used.

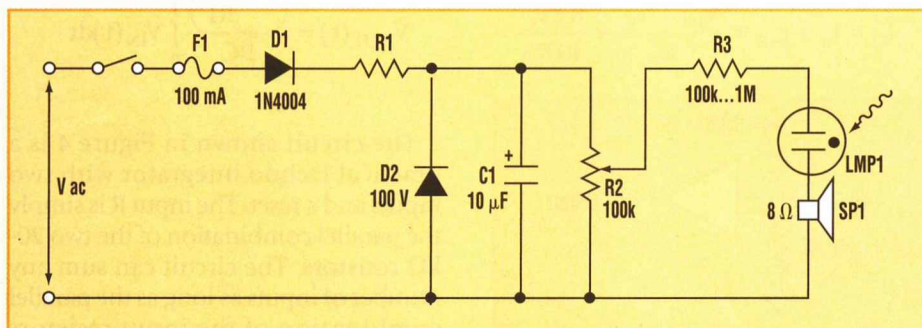
Operation is as follows (see the figure): The alternating current is rectified by diode D1. A simple Zener-diode stabilization network circuit using D2 supplies a voltage of 100 V dc. The value of R1 depends on the source voltage and must be calculated with the equation, $R1 = (V_{ac} - 100 V) / 5 \text{ mA}$. Potentiometer R2 is used to set the detector

voltage very close to, but slightly below, the neon lamp's ignition voltage. The lamp must not ignite. If a radioactive particle then ionizes the gas in the lamp, it ignites.

At that point, resistor R3 drops most of the voltage, so the lamp voltage is lower than the holding voltage. No additional current flows through the lamp until the next radioactive particle ignites it. During the small moments of current flow, a short and quiet clock noise comes out of the loudspeaker.

More circuits like this one can be found in my book about experiments with radiation sources (written in German), *Experimente mit Strahlenquellen im Haushalt* (www.peterlay.de).

Note: As with all circuits that can be connected directly to an ac power source, suitable insulation, grounding, and polarization precautions should be taken to avoid the risk of potentially lethal electric shock. ◀



A neon glow lamp biased just below its conduction threshold makes a simple radiation detector for β and γ particles. Potentiometer R2 sets the lamp's threshold voltage.